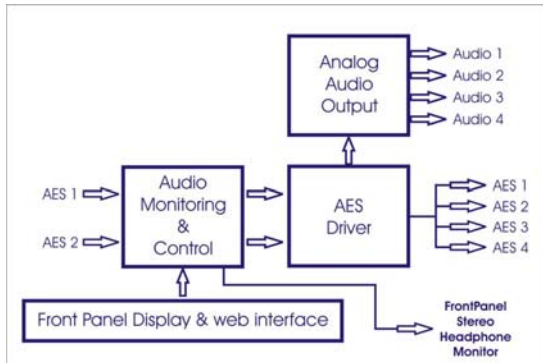


Digital Audio DA + DAC

Preliminary Specifications

SBC



Features

- Dual AES Input
- Supports incoming AES sampling rates (8 to 96KHz)
- Input failure switching
- AES output AES DA
- Four 24-bit Analogue audio outputs (two stereo pairs)
- Channel swapping, phase inversion, muting & amplitude control
- Internal test tone generator
- Front panel stereo headphone monitoring (3.5mm stereo socket)
- Graphical Front Panel
- Web based monitoring & control

Description

The Digital Audio DA + DAC combines a 4 output AES distribution amplifier with a high quality 4 channel (2 stereo pair) digital to analog converter. The DA is capable of substantial audio processing, including pair swapping, channel attenuation, phase shifting, muting, test tone insertion etc. Detection and alarm routines such as silence & audio level are also possible. The front panel or web control allows control over input to output routing, behavior upon input loss and the enabling of reclocking functions.

Specifications

Electrical Inputs

Number of Inputs	2
Data Rate	8-96Kbps
Standard	AES3
Signal Amplitude	0.2 to 7 Vp-p
Re-sampling	optional 48KHZ (free running or locked to input 2)
Equalization	>200m high quality 110 ohm balanced shielded cable
Impedance	Balance 100 ohm
Connectors	Three pin Phoenix

AES Electrical Outputs

Number of Outputs	4
Signal level	4 Vp-p +/- 1 Vp-p
Impedance	110 ohm balanced
Connectors	Three pin Phoenix

Analog Audio Outputs

Number of Outputs	4 (two stereo pairs)
Resolution	24-bit @ 48KHz
Frequency Response	20Hz- 20KHz +/- 0.1dB
THD+D	> -100dB
Dynamic range	>110dB
Reference Level	+24dBu (0dBFS)
Impedance	40ohms
Connectors	Three pin Phoenix

Headphone Monitor Output

Number of Outputs	1 front panel monitor
THD+N	Typically 0.1% @ 1KHz
Signal level	120mW maximum into 32ohms
Impedance	low
Connectors	3.5mm stereo socket

Alarm & Control Interface

Graphical front panel display
Embedded Web server with 10/100 UTP Ethernet
RJ45 UTP on rear assembly
Major & minor alarm relay contacts (rear assembly)

Compatibility

Compatible with all SBC modules supporting digital video interfaces
Compatible with SBC 3RU, 84HP Eurocard frame
Compatibility with third party frames upon request.

SBC – Sydney Broadcasting Company

ABN 84 522 652 308

Tel + 61 2 9939 3763, Mob: + 61 418 407 516 - Address: 1/37 Kentwell Rd, Allambie Hts, NSW, 2100