

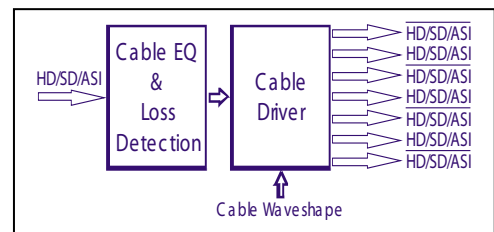


**Features**

- High performance & cost effective
- Supports HD/SDI & ASI signals
- Non-inverting & Inverting outputs
- Non-Reclocking (143 - 1485 Mbps)
- LED indicators
- Contact closure alarm
- Compact & rugged design 142mm(L) x 82mm(W) x 47mm(H)

**Description**

The Digital Video DA is a universal distribution amplifier for SD, HD & ASI formats. The Non-inverting outputs permit the transport of polarization sensitive signals such as ASI. The SD/ASI & HD switch is used to select the appropriate cable driver slew rate.



**Specifications**

**Electrical Inputs**

Number of Inputs	1
Data Rate	143 to 1485 Mbps
Return Loss	>15dB (5MHz – 1.5GHz)
Cable Eq.	0 to 120m Belden 1694A (HD) 0 to 250m Belden 8281A (SD)
Impedance	75 ohm
Connector	BNC female

**Electrical Outputs**

Number of Outputs	7
Polarity	Multiple inverting & non-inverting outputs (non-inverting outputs are ASI compatible)
Signal Level	800mV p-p +/- 100mV
Return Loss	>15dB (5MHz – 1.5GHz)
Impedance	75 ohm
Connectors	BNC female

**Alarm & Control Interface**

- Loss & Presence LED indicator
- SD or HD output waveform selection
- Solid state alarm relay contacts

**Supported Standards**

- SMPTE - 259M (270Mbit/s), 292M (1483, 1485Mbit/s)
- DVB-ASI - EN50083-9 (270Mbit/s)

**Accessories (extra)**

- High performance, 110-240V universal input, 12V @1.5A output
- Power lead, SAA approved, 2M, IEC320-C14 connector

**Compatibility**

- Compatible with all SBC products supporting digital video interfaces
- Compatible with third party compliant digital video interfaces

**Compliances**

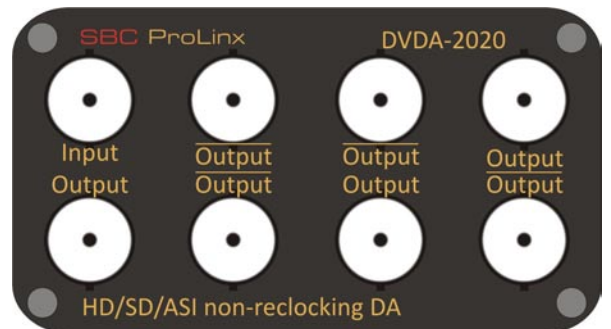
- CE; UL; C-Tick
- RoHS Compliant Directive 2002/95/EC

**Ordering Information**

- DVDA 2020 1in7 Digital Video DA
- PSLV-1200, 240V AC/12V DC power supply



Front panel with power connector



Rear panel

Copyright by SBC 2008. Product Specifications are subject to change without prior notice.