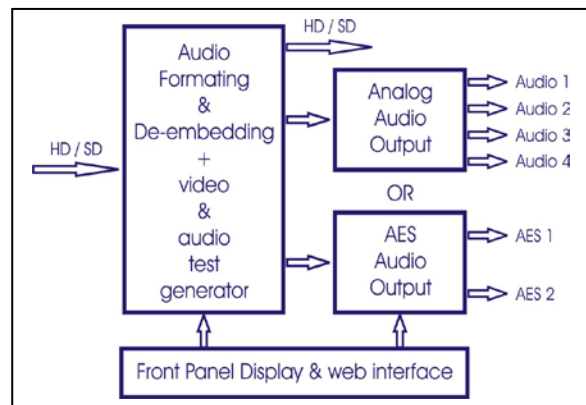




Features

- Extraction of embedded audio from HD-SDI (1.485Gbit/s & 1.483Gbit/s) and SDI (270Mbit/s)
- Support for 20-bit & 24-bit audio (48KHz)
- Internal test tone generator
- Optional Analog AES or AES Audio sub-board
 - Four 24-bit Analogue audio outputs (two stereo pairs)
 - Two AES outputs with AES reference input
 - Channel swapping, phase inversion, muting & amplitude control
 - Internal Audio test tone generator
- Front panel BNC monitoring
- Graphical Front Panel (AUDX-5100A & AUDX-5100D)
- Web based monitoring & control (AUDX-5100A & AUDX-5100D)



Description

The HD/SD Audio De-embedder extracts up to one group of audio from a HD/SD digital video stream. The group can be optionally removed from the output digitized video stream. The de-embedder can be supplied with either a high performance analogue audio or AES sub-board. The analogue audio sub-boards contain 4 high performance 24-bit analogue to digital audio converters. The AES sub-board contains an AES reference input to allow the embedded AES audio to be synchronized. Optional extended monitoring and control is via the graphical front panel display or embedded web server.

Alarm & Control Interface

- Graphical front panel display
- Embedded Web server with 10/100 UTP Ethernet
- RJ45 UTP on rear assembly
- Major & minor alarm relay contacts (rear assembly)

Supported Standards

- SMPTE - 259M (270Mbit/s), 292M (1485Mbit/s)
- SMPTE 272M-C

Compatibility

- Compatible with all SBC modules supporting digital video interfaces
- Compatible with SBC 3RU, 84HP Eurocard frame
- Compatibility with third party frames upon request.

Compliances

- CE; UL; C-Tick
- RoHS Compliant Directive 2002/95/EC

Ordering Information

- AUDX 5000A (analogue audio output)
- AUDX 5000D (AES audio output)
- LCD front panel & web server
 - AUDX 5100A (analogue audio output)
 - AUDX 5100D (AES audio output)

Specification

Serial Video Input & Output

Data Rate	270 & 1485 Mbps
Return Loss	>15dB (5MHz – 1.5GHz)
Cable Eq.(input)	0 to 120m Belden 1694A (HD) 0 to 250m Belden 8281A (SD)
Impedance	75 ohm
Connectors	BNC female

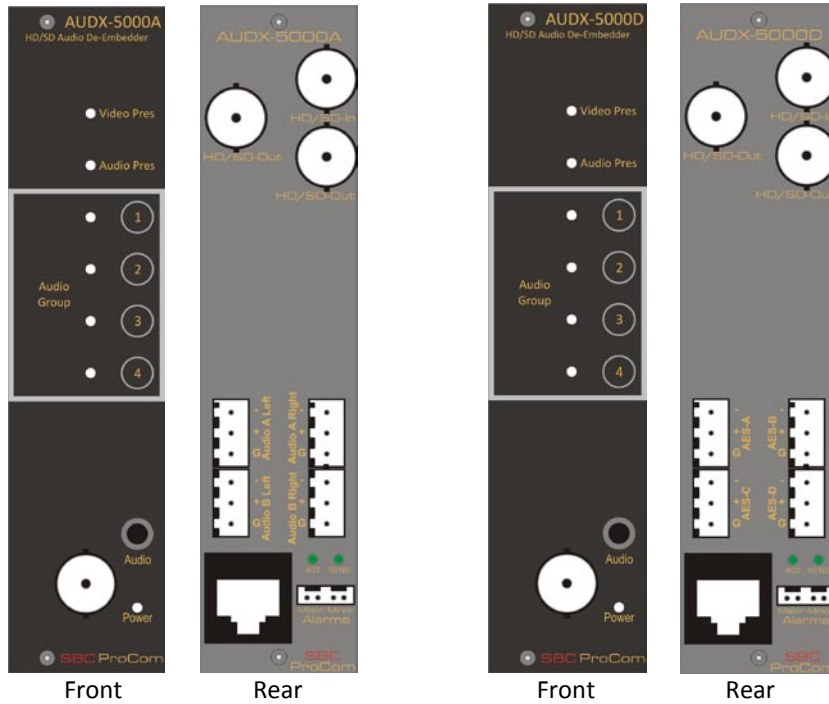
AES Outputs (AES audio sub-board option)

Number of Outputs	2 (two stereo pairs)
Signal level	4 Vp-p +/- 1 Vp-p
Impedance	110 ohm balanced
Connectors	Three pin Phoenix

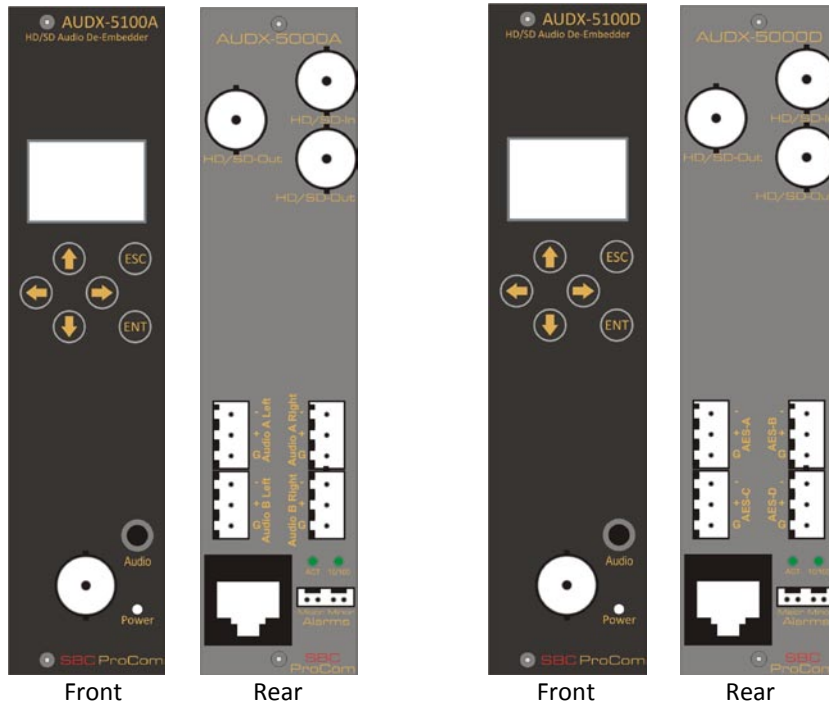
Analogue Audio Outputs (analogue audio sub-board option)

Number of Outputs	4 (two stereo pairs)
Resolution	24-bit @ 48KHz
Frequency Response	20Hz- 20KHz +/- 0.1dB
THD+D	> -100dB
Dynamic range	>110dB
Reference Level	+24dBu (0dBFS)
Impedance	40ohms
Connectors	Three pin Phoenix

Standard Front Control Panels



LCD Front Control Panels



Copyright by SBC 2008. Product Specifications are subject to change without prior notice.