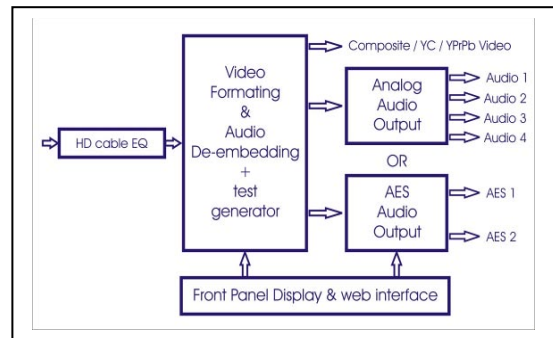




Features

- HD-SDI (1.485Gbit/s) to Component Conversion (YPrPb or RGB) SMPTE-274M (1080i), 296M (720p) & 240M (1035i)
- SDI to Component (YPrPb or RGB)
- SDI to Composite Conversion (CVBS & S-Video (Y/C)) NTSC-M, PAL-B/D/G/H/I/M/N, PAL-60
- Full 10-bit processing & 12-bit oversampled noise shaped DACs
- Internal Video Timing Generator
- Optional Analog AES or AES Audio sub-board
 - Four 24-bit Analogue audio outputs (two stereo pairs)
 - Two AES outputs with AES reference input
 - Channel swapping, phase inversion, muting & amplitude control (DVEN-5100 / DVEN-5100A / DVEN-5100D)
 - Internal Audio test tone generator
- Front panel BNC monitoring
- Graphical Front Panel (DVEN-5100 / DVEN-5100A / DVEN-5100D)
- Web based monitoring & control (DVEN-5100 / DVEN-5100A / DVEN-5100D)



Description

The HD Encoder is a universal digital serial video to component or composite converter. The Encoder utilizes the latest multi-format video converters with full 10-bit processing and 12-bit resolution noise shaped oversampled DACs to deliver true broadcast quality performance. The module is further enhanced with the addition of the optional high quality audio sub-boards. Optional module configuration and control is available via the front panel or web based interface. This module will become the clear market leader for features, price and performance.

Specifications

Serial Video Input

Number of Inputs	1
Data Rate	270 & 1485 Mbps
Return Loss	>15dB (5MHz – 1.5GHz)
Cable Eq.	0 to 120m Belden 1694A (HD) 0 to 250m Belden 8281A (SD)
Impedance	75 ohm
Connectors	BNC female

Composite / Component Video Output

Number of Outputs	6
Luminance Non-linearity	+/- 0.35% typical (SD mode)
Differential Gain	0.3% typical (SD mode)
Differential Phase	0.4 degrees typical (SD mode)
SNR ramp	63 dB typical unweighted (SD mode)
SNR flat field	79.5 dB typical unweighted (SD mode)
Luma Bandwidth	30 MHz typical (HD mode)
Chroma Bandwidth	13.75 MHz typical (HD mode)
Impedance	75 ohm
Connectors	BNC female

AES Outputs (optional AES audio sub-board)

Number of Outputs	2 (two stereo pairs)
Signal level	4 Vp-p +/- 1 Vp-p
Impedance	110 ohm balanced
Connectors	Three pin Phoenix

Analog Audio Outputs (optional analog audio sub-board)

Number of Inputs	4 (two stereo pairs)
Resolution	24-bit @ 48KHz
Frequency Response	20Hz- 20KHz +/- 0.1dB
THD+D	> -100dB
Dynamic range	>110dB
Impedance	low impedance (40 ohm typical)
Connectors	Three pin Phoenix

Alarm & Control Interface

Graphical front panel display (DVEN-5100 / DVEN-5100A / DVEN-5100D)
 Embedded Web server with 10/100 UTP Ethernet (DVEN-5100 / DVEN-5100A / DVEN-5100D)
 RJ45 UTP on rear assembly
 Major & minor alarm relay contacts (rear assembly)

Supported Standards

SMPTE - 259M (270Mbit/s), 292M (1485Mbit/s)
 SMPTE 272M-C

Compatibility

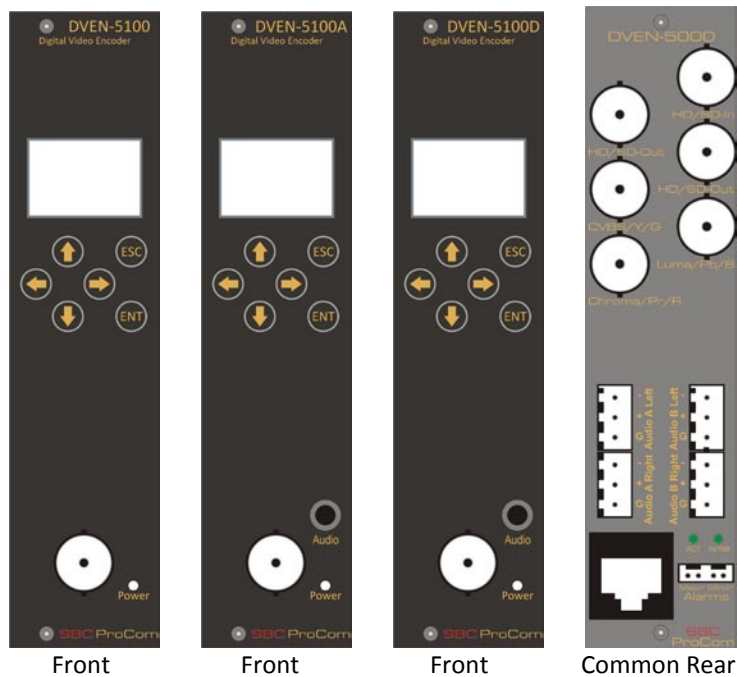
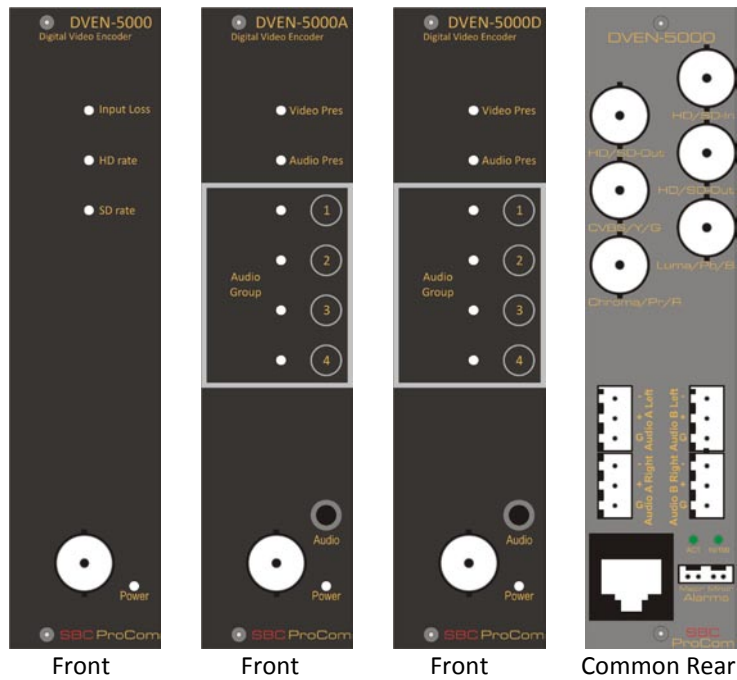
Compatible with all SBC modules supporting digital video interfaces
 Compatible with SBC 3RU, 84HP Eurocard frame
 Compatibility with third party frames upon request.

Compliances

CE; UL; C-Tick
 RoHS Compliant Directive 2002/95/EC

Ordering Information

- DVEN-5000
- DVEN-5000A (analogue audio output)
- DVEN-5000D (AES audio output)
- LCD front panel & web server
 - DVEN-5100
 - DVEN-5100A (analogue audio output)
 - DVEN-5100D (AES audio output)



Copyright by SBC 2008. Product Specifications are subject to change without prior notice.