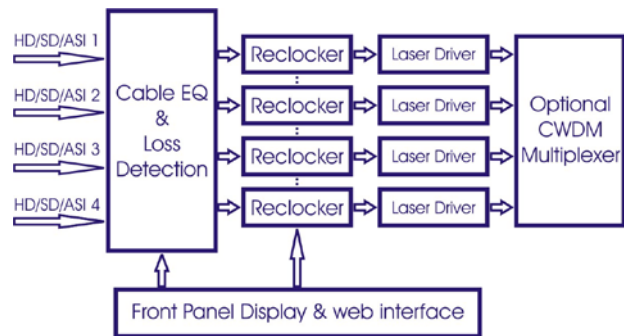




Features

- Supports HD/SD/ASI signals
- Non-inverting & Inverting cable outputs
- Re-clocking (143,270,1438,1485 Mbps)
- Optional digital video analyser sub-module
- Optional Graphical Front Panel & Web based monitoring & control
- DOTX-6000 Dual 1300nm
- DOTX-6100 Dual 1300nm + OLED front panel & web server
- DOTX-6010 1300nm & 1550nm
- DOTX-6110 1300nm & 1550nm + OLED front panel & web server
- DOTX-6012 1300nm & 1550nm + passive optical combiner
- DOTX-6112 1300nm & 1550nm + OLED front panel & web server + passive optical combiner
- DOTX-7000 1511nm, 1531nm, 1551nm, 1571nm
- DOTX-7100 1511nm, 1531nm, 1551nm, 1571nm + OLED front panel & web server
- DOTX-7004 1511nm, 1531nm, 1551nm, 1571nm + passive optical combiner
- DOTX-7104 1511nm, 1531nm, 1551nm, 1571nm + OLED front panel & web server + passive optical combiner
- other laser wavelengths are available upon request



Alarm & Control Interface

Graphical front panel display
 Embedded Web server with 10/100 UTP Ethernet
 RJ45 UTP on rear assembly
 Major & minor alarm relay contacts (rear assembly)

Supported Standards

SMPTE - 259M (270Mbit/s), 292M (1483, 1485Mbit/s) 305M (SDTI) 310M
 DVB-ASI - EN50083-9 (270Mbit/s)

Compatibility

Compatible with all SBC modules supporting digital video interfaces
 Compatible with SBC 3RU, 84HP Eurocard frame
 Compatibility with third party frames upon request.

Compliance

RoHS Compliant Directive 2002/95/EC

Notes

This method can be scaled using external passive optical multiplexers and alternate laser wavelengths to provide up to 16 independent channels

Compliances

CE; UL; C-Tick

Description

The multichannel Digital Video Transmitter supports the short haul transmission of multiple SD, HD & ASI formats over single mode fiber optic cable. Each channel is totally independent allowing different data rates & formats to be transported simultaneously. Each wavelength can be combined on the board using a passive CWDM or provided individually on the rear assembly. This design provides a more flexible and reliable alternative as well as alleviating the data rate limitations and jitter issues associated with TDM designs.

The multichannel Digital Video Transmitter is especially suited to mixed data rate environments or installations that may change in the future. Optional monitoring and control is via the graphical front panel display or embedded web server.

Specifications

Electrical Inputs

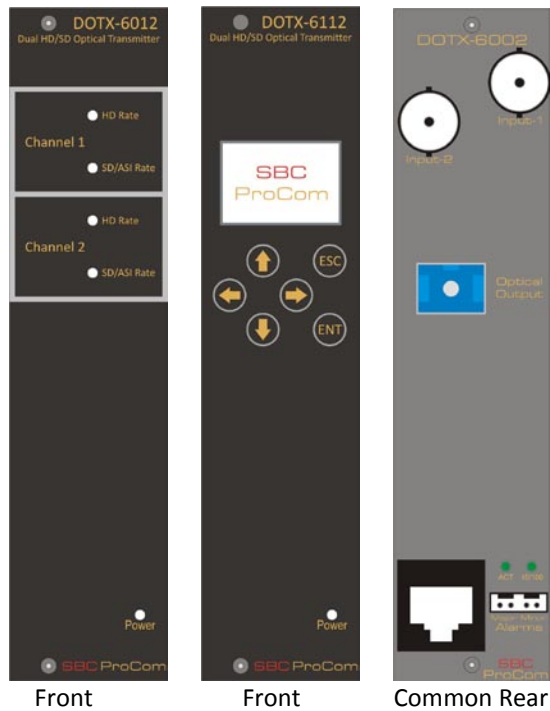
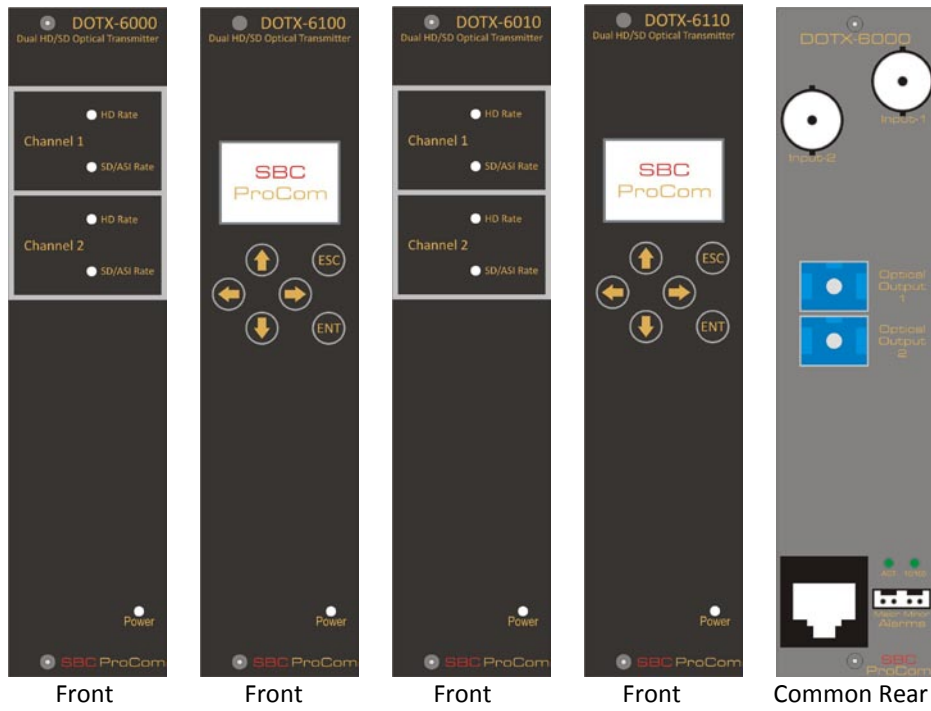
Number of Inputs up to 4
 Data Rate 143, 270 1483 & 1485 Mbps (re-clocked)
 Return Loss >15dB (5MHz – 1.5GHz)
 Cable Eq. 0 to 120m Belden 1694A (HD)
 0 to 250m Belden 8281A (SD)
 Impedance 75 ohm
 Connectors BNC female

Optical Outputs

Number of Outputs up to 4
 Fiber Single Mode 9/125um
 Laser Power -2dBm (typical, DFB laser)
 Connector SC/PC (other types upon request)
 Laser Wavelength 1310nm or 1550nm (other λ on request)

Ordering Information

- DOTX-6000
- DOTX-6100
- DOTX-6010
- DOTX-6110
- DOTX-6012
- DOTX-6112
- QOTX-7000
- QOTX-7100
- QOTX-7004
- QOTX-7104

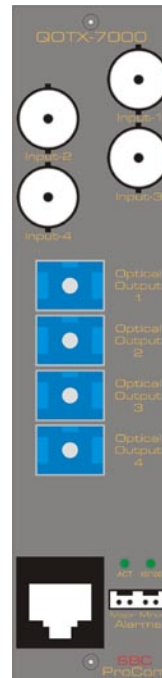




Front



Front



Common Rear



Front



Front



Common Rear

Copyright by SBC 2008. Product Specifications are subject to change without prior notice.